

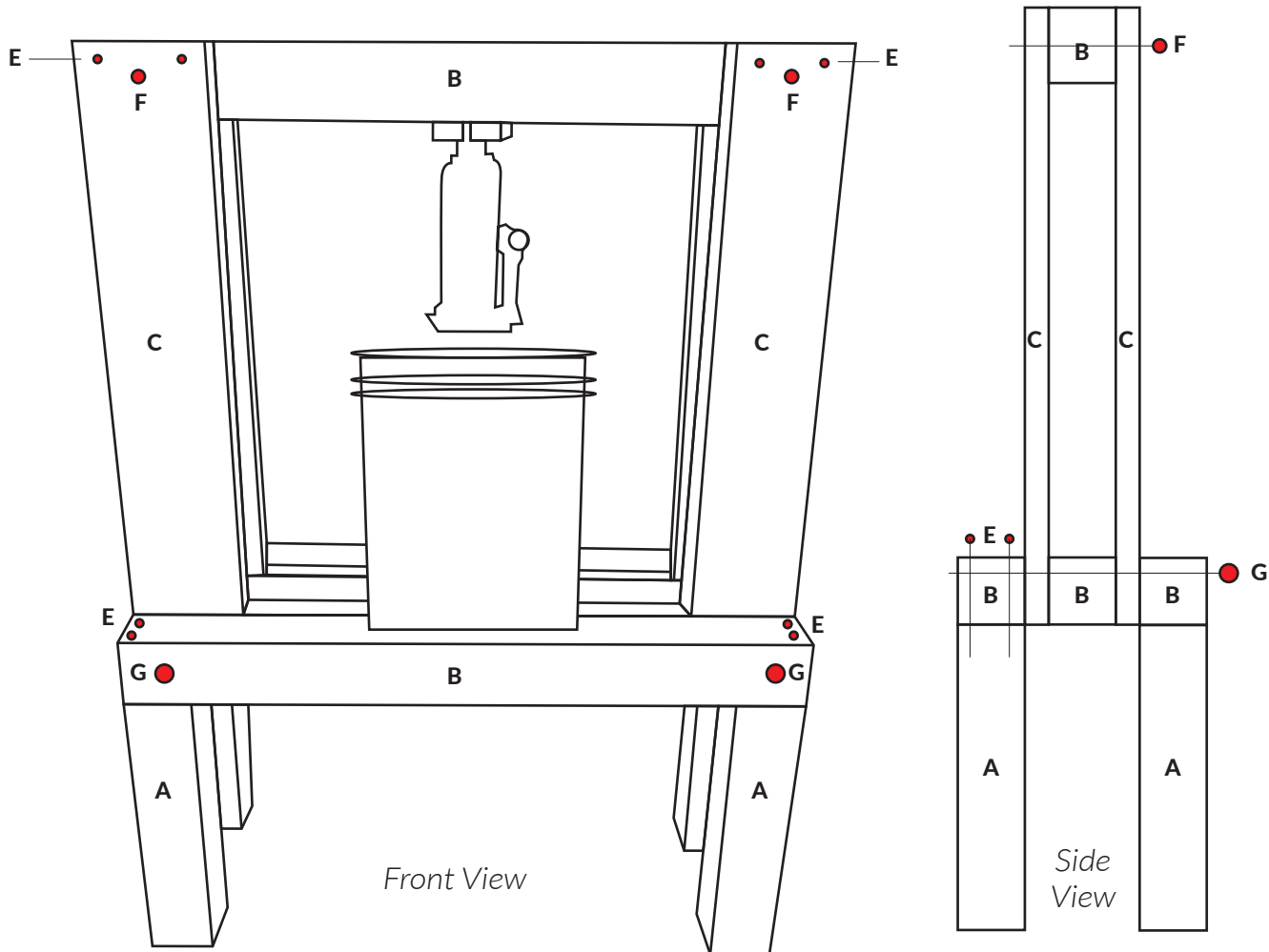
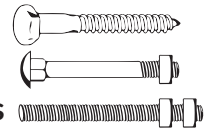


HENSTOOTH HOMESTEAD

FRUIT PRESS PLANS

- A Four 15" 4x4
- B Four 33.5" 4x4
- C Four 30" 2x6

- E 12-6" flat head lag screws
- F 2-7" carriage bolts
- G 2-30" threaded rod + 8 nuts



Cut boards to length. Pre-drill hole for the threaded rod (**G**) at one end of three (**B**) 33.5" 4x4's and 2 (**C**) 30" 2x6 boards. Repeat at opposite end. Sandwich remaining (**B**) 35.5" 4x4 between two (**C**) 30" 2x6 boards and pre-drill holes for carriage bolts (**F**). Repeat at opposite end. It's very important that the holes align through each board alternating (**B**) and (**C**) represented in the side view above, as the threaded rod (**G**) and carriage bolt (**F**) will go through each board to secure it.

Place threaded rod (**G**) through either end of base and secure with washer and nuts. Place remaining (**B**) board at the top, sandwiched between the two (**C**) boards and secure with one carriage bolts on either side. Further secure top with two (**E**) 6" flat head lag screws on either side of (**F**) carriage bolt.

Place one (**A**) 15" 4x4 to each corner of the base (outside facing (**B**) boards) to act as legs, using two (**E**) 6" flat head lag screws to attach each leg.

If using a bottle jack, pre-drill the diameter of the jack head using a spade bit 3/4" deep into the center of the top (**B**) board (do not drill through). Place jack and secure in place by screwing a piece of scrap wood on either side.